

WEB-HMI

TOUCHSCREEN MONITORS

PRODUCT DATA



WEB-HMI seamlessly integrates with CIPer Model 10, CIPer Model 30, CIPer Model 50, and WEB-8000 delivering robust performance and comprehensive insight from the controller or building system.

GENERAL

The WEB-HMI series of touchscreen monitors are HTML5 IP browser compatible touchscreen monitors. They combine state-of-the-art features and top performance with an outstanding design.

WEB-HMI touch panels are available in 5 different sizes which offer 2 tiers of visualization and connectivity performance:

1. *Direct controller access (Browse in controller)*
2. *System wide controller access (Browse into the system)*

FEATURES

- **High Cyber Security Level.**
- **Ingress protection rating of IP66.**
- **Protection from unauthorized accesses.**
- **Modern HTML5 Browser based on Linux.**
- **High quality, industrial grade touch panel with life span of more than 10 years.**
- **Controllers, HMI, and tools are harmonized and tested together.**
- **HTML5 Chromium Browser to access Niagara WEBs-N4.**

APPLICATIONS

- **Building automation**
- **Infrastructure automation**
- **OEM**

ORDERING INFORMATION

Table 1. HMI Touch panel models

	WEB-HMI4/C	WEB-HMI7/C	WEB-HMI10/CF	WEB-HMI15/CF	WEB-HMI21/CF
Type	4.3" HTML5 Web Panel, resistive touch	7" HTML5 Web Panel, resistive touch	10.1" HTML5 Web Panel, capacitive touch	15.6" HTML5 Web Panel, capacitive touch	21.5" HTML5 Web Panel, capacitive touch
Description	4.3" HTML5 Web Panel, TFT color, 480 × 272 pixel, resistive touch screen, 1 Ethernet port, 1 USB host port	7" HTML5 Web Panel, TFT color, 800 × 480 pixel, resistive touch screen, 1 Ethernet port, 1 USB host port	10.1" HTML5 Web Panel, TFT color, 1280 × 800 pixel, capacitive multi touch screen, 3 Ethernet port, 2 USB host port	15.6" HTML5 Web Panel, TFT color, 1366 × 768 pixel, capacitive multi touch screen, 3 Ethernet port, 2 USB host port	21.5" HTML5 Web Panel, TFT color, 1920 × 1080 pixel, capacitive multi touch screen, 3 Ethernet port, 2 USB host port

DESCRIPTION

WEB-HMI4/C

It is an ideal choice for HMI applications including factory and building automation. It is an effective platform for running browser applications in the industrial environment. The powerful CPU and the efficient Linux with real-time extensions guarantee and optimal performance under the most demanding conditions

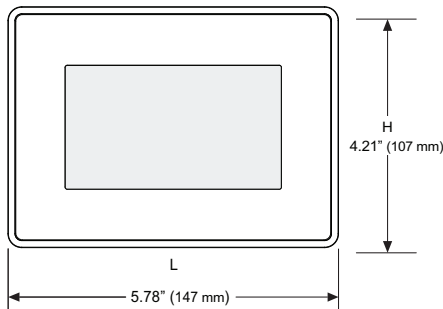
- **ARM Cortex-A8 - 1 GHz**
- **4.3" TFT color display**
- **480 × 272 pixel (WVGA) resolution**
- **64K colors**
- **LED back-light**
- **Resistive touchscreen**
- **1 Ethernet port**



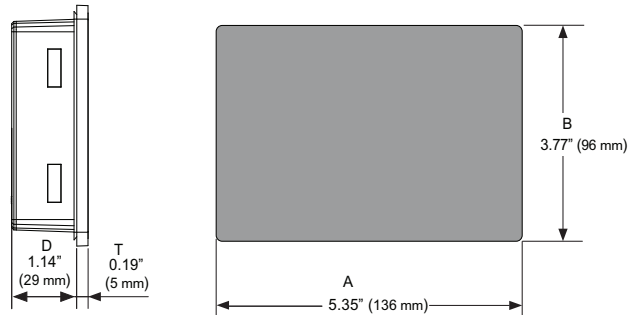
WEB-HMI4/C features a bright 4.3" TFT wide-screen (16:9) display with a fully dimmable LED back-light.

Dimensions

DIMENSION



CUT-OUT



CONNECTION

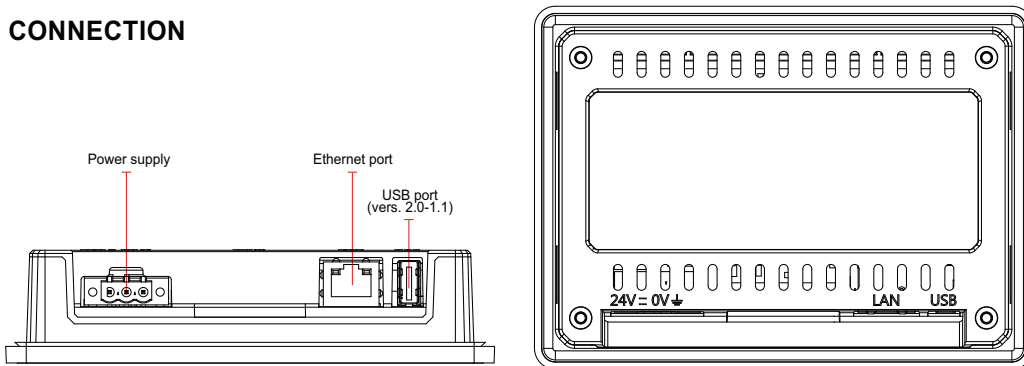


Figure 1. WEB-HMI4/C dimensions

WEB-HMI7/C



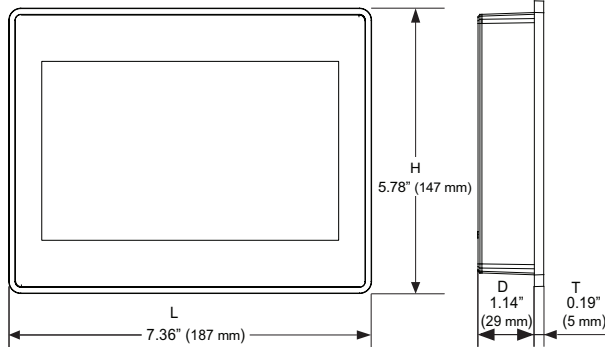
It is an effective platform for running browser applications in the industrial environment. The powerful dual-core CPU and the efficient Linux with real-time extensions guarantee and optimal performance under the most demanding conditions.

This product has been optimized as an ideal platform for the Chromium browser, while retaining compatibility with the WEB-HMIxx/C family of HMI devices.

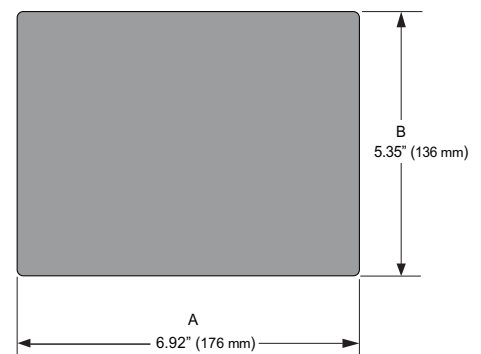
- **ARM Cortex-A9 dual-core CPU**
- **7" TFT color display**
- **Resolution 800 × 480 pixel**
- **64K colors**
- **Dimmable LED back-light**
- **Resistive touchscreen**
- **1 Ethernet port**

Dimensions

DIMENSION



CUT-OUT



CONNECTION

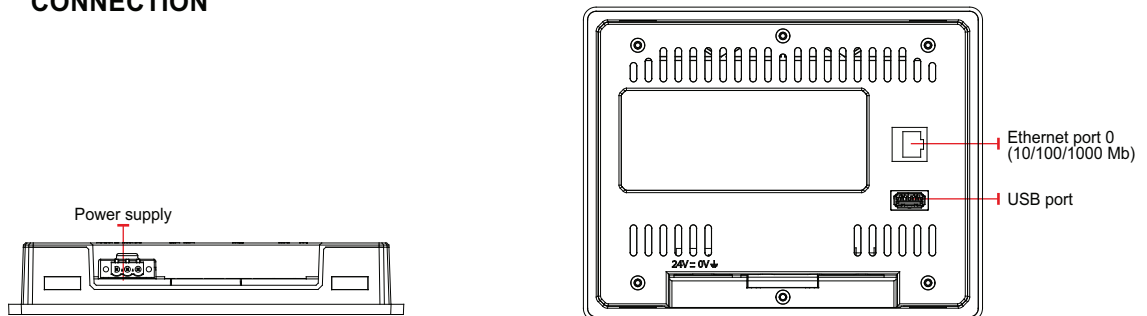


Figure 2. WEB-HMI7/C dimensions

WEB-HMI10/CF



It is designed to offer an outstanding price to performance ratio for challenging applications. It is an ideal choice for HMI applications including factory and building automation.

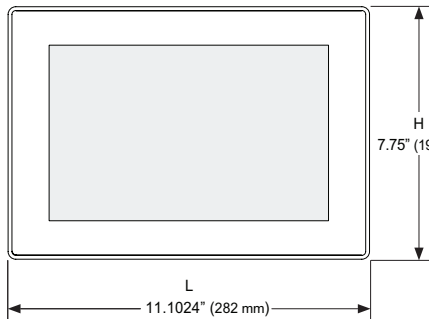
The glass-projected capacitive touchscreen and the brilliant 10.1" wide-screen display with resolution of 1280 × 800 guarantees superior optical performance; with the support of multi-touch gesture programming, a user-friendly human interface is obtained.

- **10.1" TFT color display with a resolution of 1280 × 800 pixel with 16M colors**
- **Dimmable LED back-light**
- **Projected capacitive touchscreen.**
- **True glass design. Resistant to scratches, UV radiation, and chemicals**
- **Multi-touch operation**
- **Flush mounting for control cabinet installation**
- **IP66 from the front**
- **Operating temperature -4°F to 140°F (- 20°C to +60°C)**
- **3 Ethernet ports**

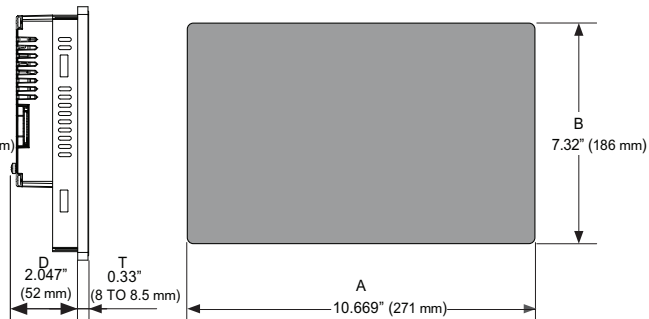
The WEB-HMI10/CF HMI monitor combine state-of-the-art connectivity features and top performance in a appealing design.

Dimensions

DIMENSION



CUT-OUT



CONNECTION

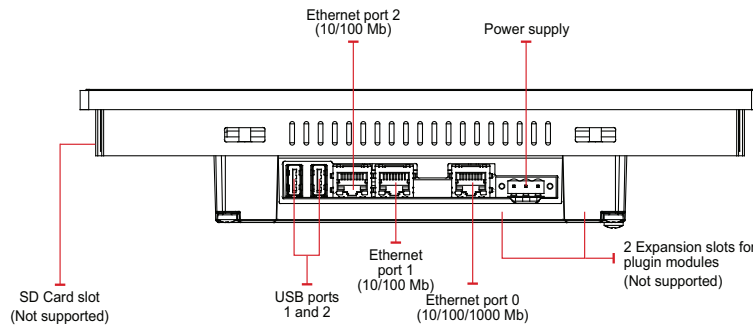


Figure 3. WEB-HMI10/CF dimensions

WEB-HMI15/CF

It is designed to offer an outstanding price to performance ratio for challenging applications. It is an ideal choice for HMI applications including factory and building automation.

The glass-projected capacitive touchscreen and the brilliant 15.6"-wide screen display with resolution of 1366 × 768 guarantee superior optical performance; with the support of multi-touch gesture programming, a user-friendly human interface is obtained.



- **15.6" TFT color display with a resolution of 1366 × 768 pixel with 16M colors**
- **Dimmable LED back-light**
- **Projected capacitive touchscreen.**
- **True glass design. Resistant to scratches, UV radiation, and chemicals**
- **Multi-touch operation**
- **Flush mounting for control cabinet installation**
- **IP66 from the front**
- **Operating temperature -4°F to 140°F (- 20°C to +60°C)**
- **3 Ethernet ports**

The WEB-HMI15/CF HMI monitor combine state-of-the-art connectivity features and top performance in a appealing design.

Dimension

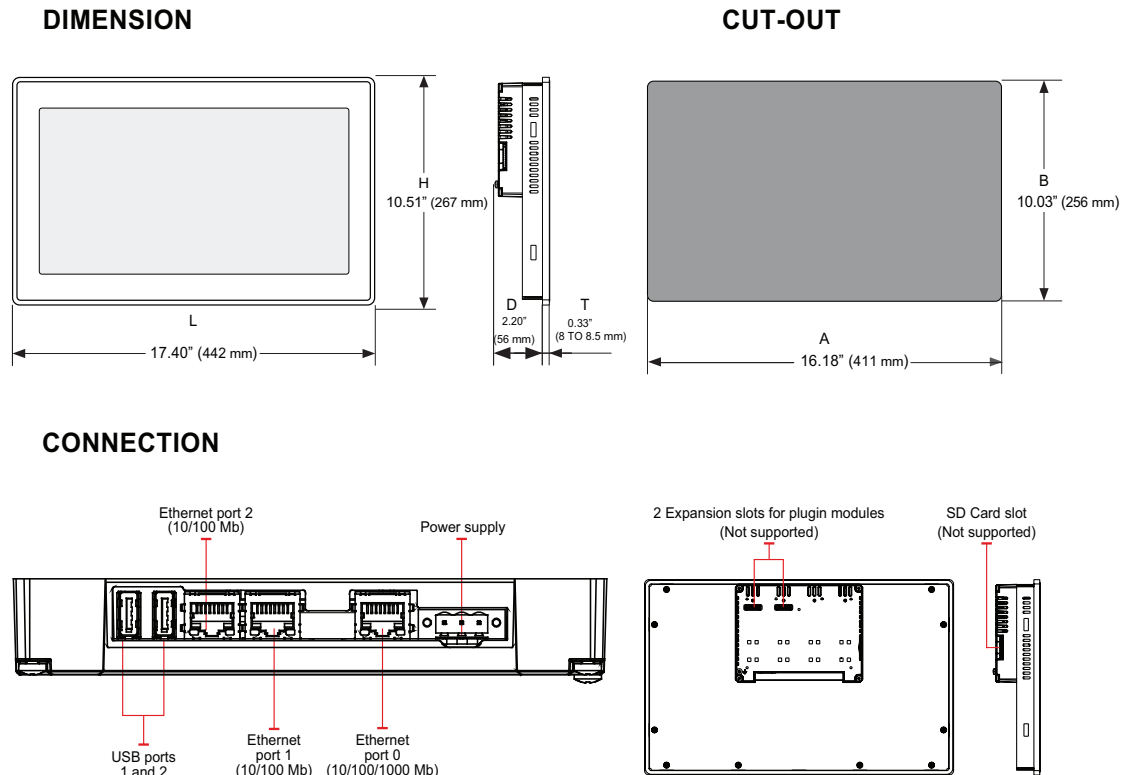


Figure 4. WEB-HMI15/CF dimensions

WEB-HMI21/CF



They have been designed to offer an outstanding price/ performance ratio for challenging applications. They are the ideal choice for HMI applications including factory and building automation.

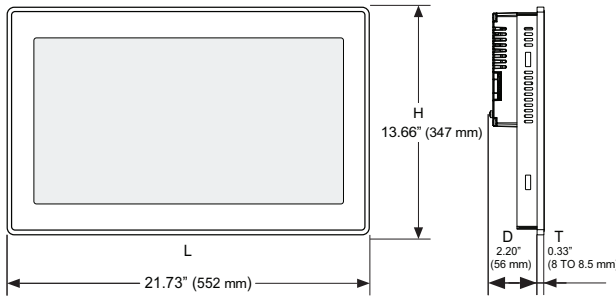
The glass-projected capacitive touchscreen and the brilliant 21.5"-wide screen display with resolution of 1920 × 1080 guarantee superior optical performance; with the support of multi-touch gesture programming, a user-friendly human interface is obtained.

- **21.5" TFT color display with a resolution of 1920 × 1080 pixel with 16M colors**
- **Dimmable LED back-light**
- **Projected capacitive touchscreen.**
- **True glass design. Resistant to scratches, UV radiation, and chemicals**
- **Multitouch operation**
- **Flush mounting for control cabinet installation**
- **IP66 from the front**
- **Operating temperature -4°F to 140°F (- 20°C to +60°C)**
- **3 Ethernet ports**

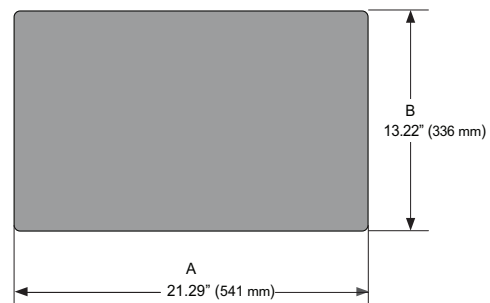
The WEB-HMI21/CF HMI monitor combine state-of-the-art connectivity features and top performance in a appealing design.

Dimensions

DIMENSION



CUT-OUT



CONNECTION

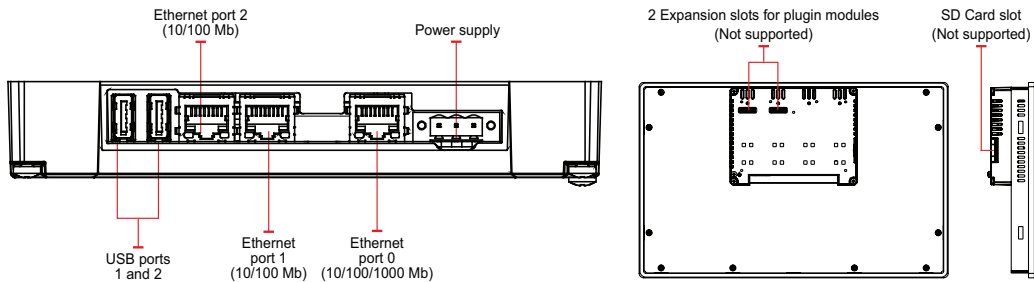


Figure 5. WEB-HMI21/CF dimensions

TECHNICAL DATA

Table 2. Technical data

		WEB-HMI4/C	WEB-HMI7/C	WEB-HMI10/CF	WEB-HMI15/CF	WEB-HMI21/CF
System Resources	Display - Colors	4.3" TFT 16:9 - 64K	7" TFT 15:9 - 64K	10.1" TFT 16:10 LED - 16M	15,6" TFT, 16:9, LED - 16M	21,5" TFT, 16:9, LED - 16M
	Resolution	480 × 272	800 × 480, WVGA	1280 × 800, WXGA	1366 × 768, HD	1920 × 1080, full HD
	Brightness	200 Cd/m ² typ.	200 Cd/m ² typ.	500 Cd/m ² typ.	400 Cd/m ² typ.	300 Cd/m ² typ.
	Dimming	Yes	to 0%	to 0%	to 0%	to 0%
	Touchscreen	Resistive	Resistive	True Glass Projected Capacitive, Multi-touch	True Glass Projected Capacitive, Multi-touch	True Glass Projected Capacitive, Multi-touch
	CPU	ARM Cortex-A8 - 1 GHz	ARM Cortex-A9 dual core 800 MHz	i.MX8M Mini Quad ARM Cortex-A53	i.MX8M Mini Quad ARM Cortex-A53	i.MX8M Mini Quad ARM Cortex-A53
	Operating System	Linux	Linux	Linux	Linux	Linux
	RAM	512 MB	1 GB	2 GB	2 GB	2 GB
	Flash	4 GB	4 GB	4 GB	4 GB	4 GB
	Real Time Clock	Yes	Yes	Yes	Yes	Yes
	RTC Back-up	Yes	No	Yes	Yes	Yes
	Buzzer	Yes	No	Yes	Yes	Yes
Interface	Ethernet port	1 (port 0 - 10/100)	1 (port 0 - 10/100/1000)	3 (port 0 - 10/100/1000, port 1 - 10/100, port 2 - 10/100)	3 (port 0 - 10/100/1000, port 1 - 10/100, port 2 - 10/100)	3 (port 0 - 10/100/1000, port 1 - 10/100, port 2 - 10/100)
	USB port	1 (Host V2.0, max. 500 mA) - for maintenance only	1 (Host V2.0, max. 500 mA) - for maintenance only	2 (Host V2.0, max. 500 mA) -for maintenance only	2 (Host V2.0, max. 500 mA) -for maintenance only	2 (Host V2.0, max. 500 mA) -for maintenance only
	SD card	For maintenance only	For maintenance only	For maintenance only	For maintenance only	For maintenance only
Ratings	Power supply	24 Vdc (10 to 32 Vdc)	24 Vdc (10 to 32 Vdc)	24 Vdc (10 to 32 Vdc)	24 Vdc (10 to 32 Vdc)	24 Vdc (10 to 32 Vdc)
	Current Consumption	0.25 A at 24 Vdc (max.)	0.3 A at 24 Vdc (max.)	1.0 A at 24 Vdc (max.)	1.2 A at 24 Vdc (max.)	1.7 A at 24 Vdc (max.)
	Input Protection	Automatic	Electronic	Electronic	Electronic	Electronic
	Battery	Yes (Supercapacitor)	Yes (Supercapacitor)	Rechargeable Lithium battery, not user-replaceable	Rechargeable Lithium battery, not user-replaceable	Rechargeable Lithium battery, not user-replaceable

Table 2. (Continued) Technical data

		WEB-HMI4/C	WEB-HMI7/C	WEB-HMI10/CF	WEB-HMI15/CF	WEB-HMI21/CF
Environment	Operating Temp	32°F to 122°F (0 °C to 50 °C) (vertical installation)	32°F to 122°F (0 °C to 50 °C) (vertical installation)	-4°F to 140°F (- 20 °C to 60 °C) (vertical installation)	-4°F to 140°F (- 20 °C to 60 °C) (vertical installation)	-4°F to 140°F (- 20 °C to 60 °C) (vertical installation)
	Storage Temperature	-4°F to 158°F (-20 °C to 70 °C)	-4°F to 158°F (-20 °C to 70 °C)	-4°F to 158°F (-20 °C to 70 °C)	-4°F to 158°F (-20 °C to 70 °C)	-4°F to 158°F (-20 °C to 70 °C)
	Operating / Storage Humidity	5 to 85% RH, non condensing	5 to 85% RH, non condensing	5 to 85% RH, non condensing	5 to 85% RH, non condensing	5 to 85% RH, non condensing
	Protection Class	IP66 (front), IP20 (rear)	IP66 (front), IP20 (rear)	IP66 (front), IP20 (rear)	IP66 (front), IP20 (rear)	IP66 (front), IP20 (rear)
Dimensions	Faceplate L x H	5.78" x 4.21" (147 x 107 mm)	7.36" x 5.79" (187 x 147 mm)	11.10" x 7.76" (282 x 197 mm)	16.61" x 10.51" (422 x 267 mm)	21.73" x 13.66" (552 x 347 mm)
	Cutout A x B	5.35" x 3.78" (136 x 96 mm)	6.93" x 5.35" (176 x 136 mm)	10.67" x 7.32" (271 x 186 mm)	16.18" x 10.08" (411 x 256 mm)	21.30" x 13.23" (541 x 336 mm)
	Depth D + T	1.14" + 0.19" (29 + 5 mm)	1.14" + 0.19" (29 + 5 mm)	2.05 + 0.31 to 0.33" (52 + 8 to 8.5 mm)	2.20 + 0.31 to 0.33" (56 + 8 to 8.5mm)	2.20 + 0.31 to 0.33" (56 + 8 to 8.5 mm)
	Weight	Approx 0.8 pounds (0.4 Kg)	1.92 pounds (0.875 kg)	5.51 pounds (2.5 kg)	9 pounds(4.1 kg)	13.4 pounds (6.1 kg)
Approvals	CE	Emission EN 61000-6-4, Immunity EN 61000-6-2 for installation in industrial environments. Emission EN 61000-6-3, Immunity EN 61000-6-1 for installation in residential environments	Emission EN 61000-6-4, Immunity EN 61000-6-2 for installation in industrial environments. Emission EN 61000-6-3, Immunity EN 61000-6-1 for installation in residential environments	Emission EN 61000-6-4, Immunity EN 61000-6-2 for installation in industrial environments	Emission EN 61000-6-4, Immunity EN 61000-6-2 for installation in industrial environments	Emission EN 61000-6-4, Immunity EN 61000-6-2 for installation in industrial environments
	UL	UL E160970	UL E160970	UL E160970	UL E160970	UL E160970

The material in this document is for information purposes only. The content and the product described are subject to change without notice. Honeywell makes no representations or warranties with respect to this document. In no event shall Honeywell be liable for technical or editorial omissions or mistakes in this document, nor shall it be liable for any damages, direct or incidental, arising out of or related to the use of this document. No part of this document may be reproduced in any form or by any means without prior written permission from Honeywell.

Honeywell Building Technologies

Honeywell
715, Peachtree street NE
Atlanta, GA 30308
buildings.honeywell.com

® U.S. Registered Trademark
©2021 Honeywell International Inc.
31-00389-02 | Rev. 07-21

